

4

3

2

1

THIS DRAWING IS UNPUBLISHED.

RELEASED FOR PUBLICATION

20

© COPYRIGHT 20

BY TE

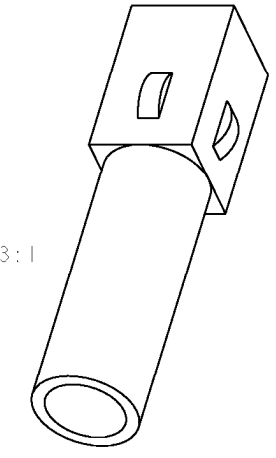
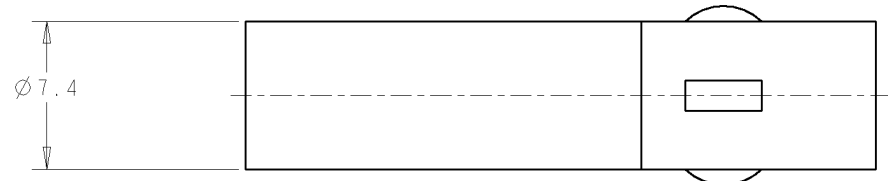
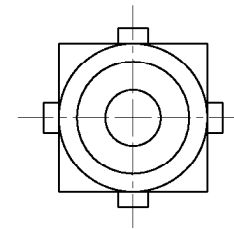
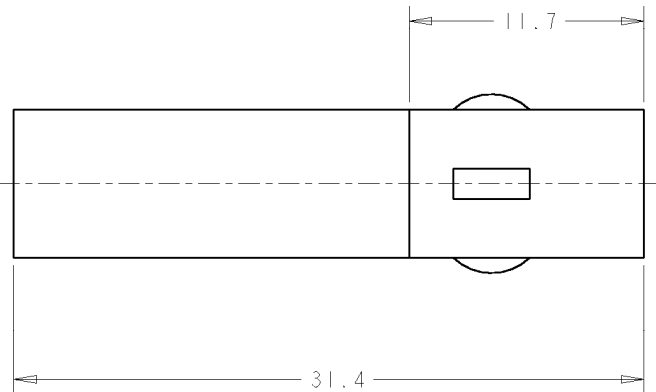
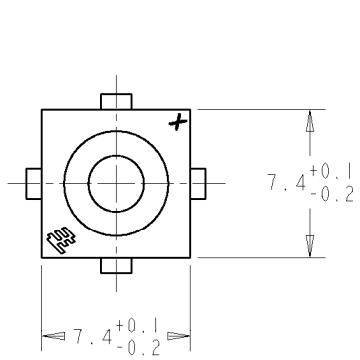
ALL RIGHTS RESERVED.

LOC
AL

DIST
2

REVISIONS

P	LTR	DESCRIPTION	DATE	DWN	APVD
A		RELEASED	24JUL2008	J.S.	L.B.
A1		ECR-13-003053	27FEB2013	MGT	R.P.



⚠ MATERIAL CORRESPONDING TO THE REQUIREMENT OF IEC 60335-1 (INCL. GLOW WIRE TEST 750°C ,WITH OUT FLAME)

1863011-1	A	PA 6 UL94 V2	NATURAL
PN	REV	MATERIAL	COLOUR

THIS DRAWING IS A CONTROLLED DOCUMENT FOR TE IT IS SUBJECT TO CHANGE AND THE CONTROLLING ENGINEERING ORGANIZATION SHOULD BE CONTACTED FOR THE LATEST REVISION.		DWN J. Salo 24JUL2008
DIMENSIONS: mm		CHK L. Lazaro 24JUL2008
TOLERANCES UNLESS OTHERWISE SPECIFIED: 0 PLC ± 0.4 1 PLC ± 0.4 2 PLC ± 0.4 3 PLC ± 0.4 4 PLC ± ANGLES ± 1.5°		APVD L. Rattilo 24JUL2008
MATERIAL SEE TABLE		PRODUCT SPEC -
FINISH -		APPLICATION SPEC -
		WEIGHT -
		CUSTOMER DRAWING

TE Connectivity		NAME	
		SINGLE CIRCUIT UNIVERSAL MATE-N-LOK PLUG	
SIZE A3	CAGE CODE 00779C	DRAWING NO 1863011	RESTRICTED TO -
SCALE 4:1		SHEET 1	OF 1
		REV	A1